

# Tornex Double Low Counter

Effective Smoking Area Control



## Low standing, high efficiency, mobile filtration counter

Double Low Counters are a highly efficient, creative, solution for most applications including enclosed smoking rooms and open areas. They can enhance the environment in an existing smoking room and can provide an ideal boardroom/meeting area solution.

### Product Description

The Tornex Double Low Counter utilises two Tornex filtration systems and can process 30m<sup>3</sup> of air per minute. The unit uses direct absorption to collect smoky air before passing it through two 'three stage' filtration systems and returning it to atmosphere as cleaned air.



### Features

- **2 x Pre-Filter** - A fine mesh removes visible dust
- **2 x Electrical Dust Collector (EDC)** – Electrically charges the smoke and other particles and catches them with a polarised board.
- **2 x Deodorising Filter** – Activated Charcoal filter purifies the smoky air and reduces odours.
- **2 x Twin Centrifugal Fans** – Connected to Direct drive electric motors to draw air through the 3 stage filtration system.
- **Motion Sensor** – Counters are only operational when movement is detected.

### Service & Maintenance

All Tornex installations require regular maintenance for optimum efficiency, Tornex recommend a full after-sales service contract.

Maintenance frequency is dependant on the number of smokers; number of cigarettes smoked and air circulation.

Tornex will advise of the appropriate frequency after the first service.

### Options

- Self extinguishing ash trays
- Custom Finishes
- Pan-set suction grille

### Advertising

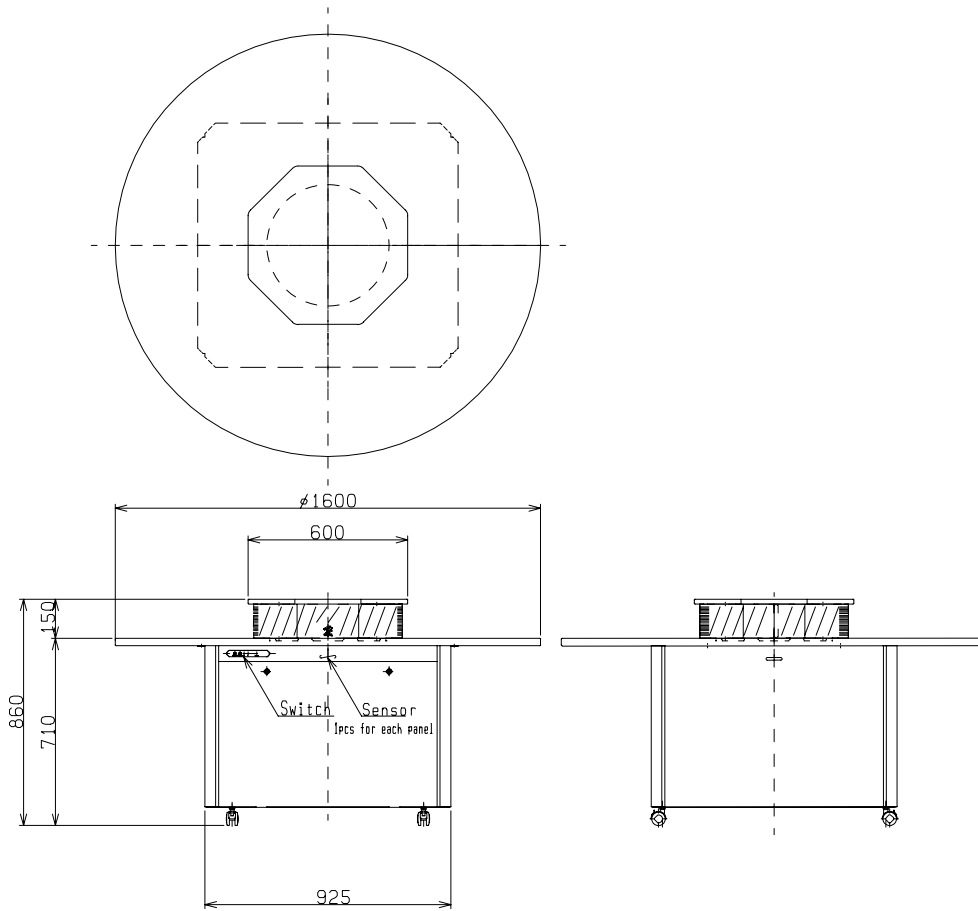
Another key benefit is the appeal of advertising space. The units can generate significant revenue through the leasing of space on the unit panels. Areas situated in the retail sectors of airports have noticeably boosted sales

### Specification

Double Low Counter	CE	
Dust Collection Efficiency (DOP Method)	97% (0.8um) / 95% (0.3um)	
Processed Amount (M <sup>3</sup> /min)	High 30	Low 20
Air Output Amount (M <sup>3</sup> /min)	High 20	Low 15
Standard Capacity	8 People	
Electrical Supply	240v /1/ 50Hz	
Electrical Consumption	150W	120W
Pre Filter	SUS 24 Mesh	
EDC	2 Stage Electrical Dust Collector	
Deodorising Filter	Charcoal	
Material	Body: Steel Melamine Coating	
Dimensions (mm)	W1600 x D1600 x H860	
Weight	Approx 130 Kg	



## Double Low Counter Configurations



Tornex (Europe) Limited  
Unit 2, Blackthorne Crescent,  
Blackthorne Road, Colnbrook, Slough, Berkshire, SL3 0QP  
Tel: 01753 687140 Fax: 01753 687141 E-mail: [sales@tornex.com](mailto:sales@tornex.com) Web: [www.tornex.com](http://www.tornex.com)

Registered in England No. 3950231  
Registered address: Iver House, Middlegreen Road, Slough, Berks SL3 6DF